

Action Exterminating and Environmental Services

Asbestos Awareness

By Lcda. Lydia Silva Boschetti

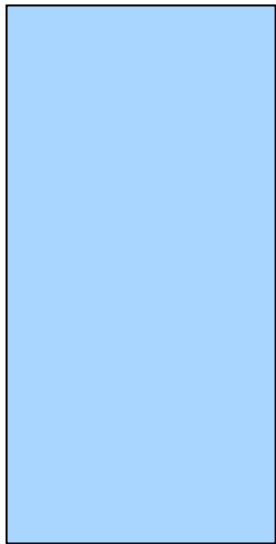


What is Asbestos?

- **“Material of thousand uses”**
- **Six naturally occurring minerals that are mined from the earth.**
 - * **Amosite**
 - * **Chrysotile**
 - * **Tremolite**
 - * **Actinolite**
 - * **Anthophyllite**
 - * **Crocidolite**

How small is Asbestos Fiber?

Asbestos fibers are identified using a microscope



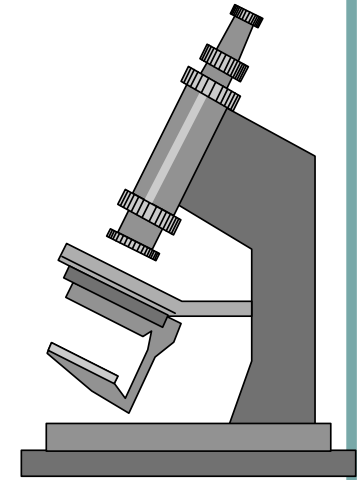
Human Hair



Fiber Glass



Asbestos Fiber



Asbestos Fiber



Why Asbestos is so important?

- **Asbestos Fibers are also virtually indestructible.**
- **They are resistant to chemicals and heat, and heat.**
- **They do not evaporate into air or dissolve in water**
- **Is the best insulator known to man**
- **It has been used in over 3,000 products**

Where is Asbestos Found?

- **Fire Proofing and insulation TSI (Thermal System Insulation)**
- **Insulation for pipes and boilers**
- **Wall and ceiling insulation**
- **Ceiling tiles**
- **Floor tiles**
- **Putties, caulks, and cements**
- **Roofing shingles**
- **Siding shingles on old buildings**
- **Wall and ceiling texture**
- **Brake linings and clutch pads**



Hazard Communication



ACM

(Asbestos Containing Materials)

PACM

(Presume Asbestos Containing Materials)

Notification Methods

Warning signs

- Warning labels
- Material Safety Data Sheets

Warning signs must be placed at all entrances to asbestos work areas regulated by OSHA standards.

When Asbestos is Dangerous?

- When it is inhaled or ingested.
- Asbestos can only be inhaled if airborne.
- Asbestos can become airborne through:
 - sawing
 - drilling
 - nailing
 - cutting
 - bumping
 - tearing
 - sweeping
 - other

Asbestos Grouping

● Surfacing

- Fluffy material (like cotton candy) sprayed onto ceilings or structural beams.
- Often found behind ceiling tiles.

● TSI

- Thermal System Insulation
- Trawled-on boilers
- Cementitious pipe insulation
- Sometimes wrapped with cloth or metal

Asbestos Grouping (Cont)

● Miscellaneous

- All other asbestos-containing materials
- Floor tile and mastic
- Transite siding
- Roofing felts
- Break pads
- Vibration dampers

Asbestos Terms

- Friable Asbestos- can reduce to powder by hand pressure. Ex. Ceiling tiles
- Non-Friable- is usually found bonded into other materials. Ex. Floor tiles

Damage and Deterioration

- **Always avoid any contact with ACM that:**
- **Disturbs its position or arrangement**
- **Disrupts its matrix or renders in friable**
- **Generates any visible debris from it.**

Plaster on Concrete Ceiling

- **TYPE: Surfacing Material - Friable**
- **PRECAUTIONS:**
 - Do not touch, paint or clean plaster
 - Do not attach anything to plaster or remove anything from it
 - Do not clean up debris from fiber release



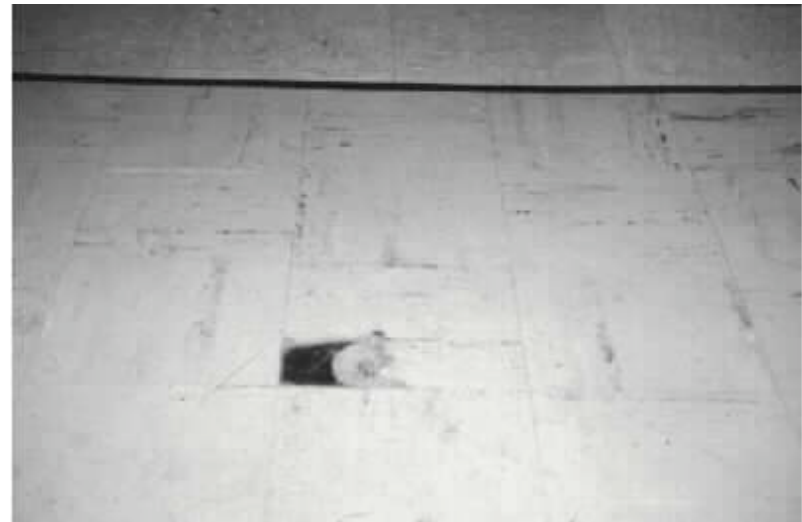
Boiler Steam Drum Insulation

- **TYPE: Thermal System Insulation**
- **PRECAUTIONS:**
 - Do not cut or otherwise damage protective covering
 - Do not bump into insulation with ladders or equipment
 - Do not touch insulation if covering is damaged



Floor Tile

- **TYPE:**
Miscellaneous Material
Non-friable
- **PRECAUTIONS:**
 - Do not sand, grind or chip tile
 - Do not strip or buff finish at speeds over 300 rpm
 - Do not disturb mastic if exposed



Health Effects

- **Asbestosis**
- **Lung Cancer**
- **Mesothelioma**

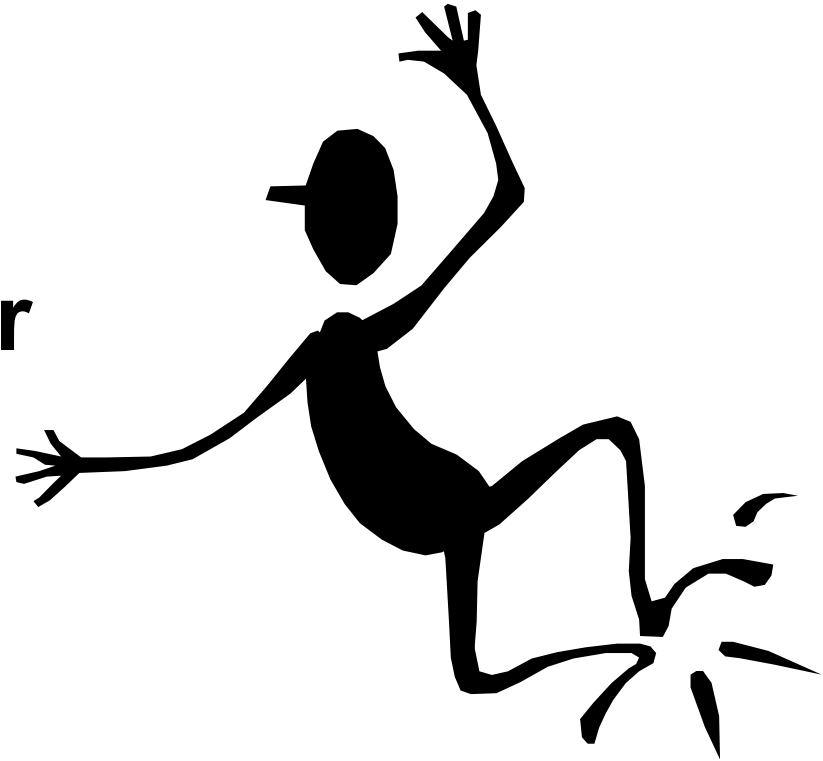
Protecting Yourself...

- **If you do not know whether something is asbestos or not, assume that it is.**
- **Do not disturb it.**
- **Never:**
 - **Drill**
 - **Hammer**
 - **Cut**
 - **Saw**
 - **Damage**
 - **Move**
 - **Disturb**
 - **Break**

...any asbestos-containing materials or suspected materials.

Housekeeping Requirements

- **Dust Collection**
- **Spills**
- **Compressed Air**
- **Vacuuming**
- **Wet methods**
- **Waste Disposal**



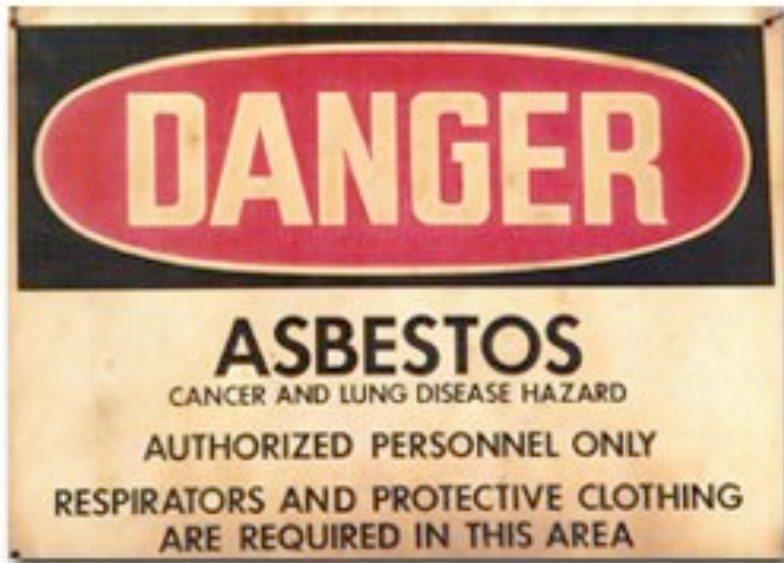
Protective Clothing and Equipment

OSHA standards prescribe safety measures such as:

- **Protective clothing**
- **Respiratory protection**



Danger Asbestos=Use Mask



=

